

Gator Clone

gaussmarkov and stobiepole

December 2, 2007

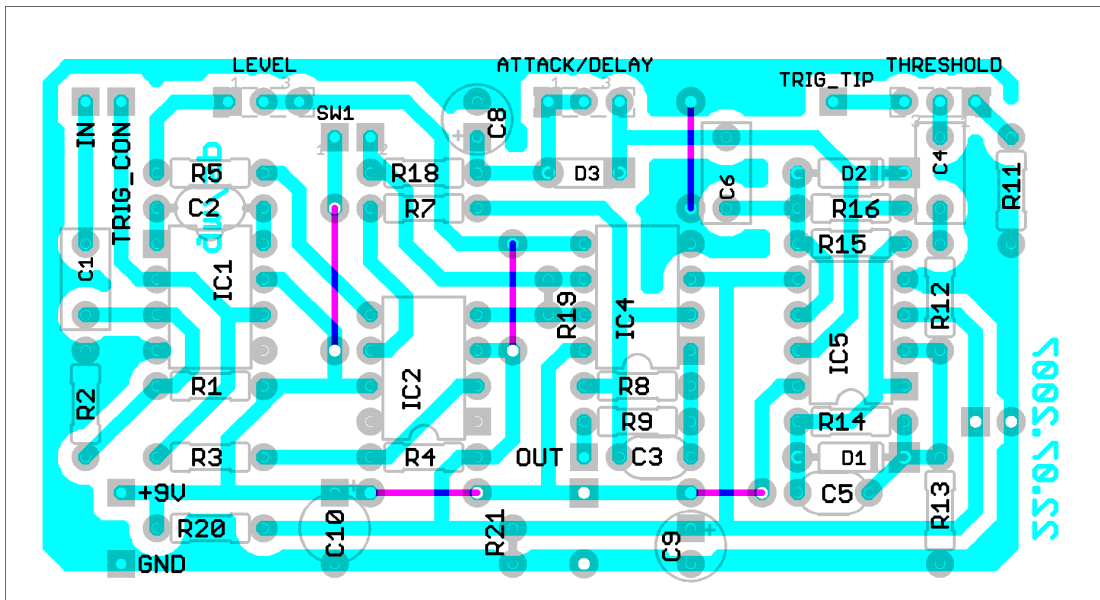
<http://gaussmarkov.net/wordpress/circuits/gator/>

Notes

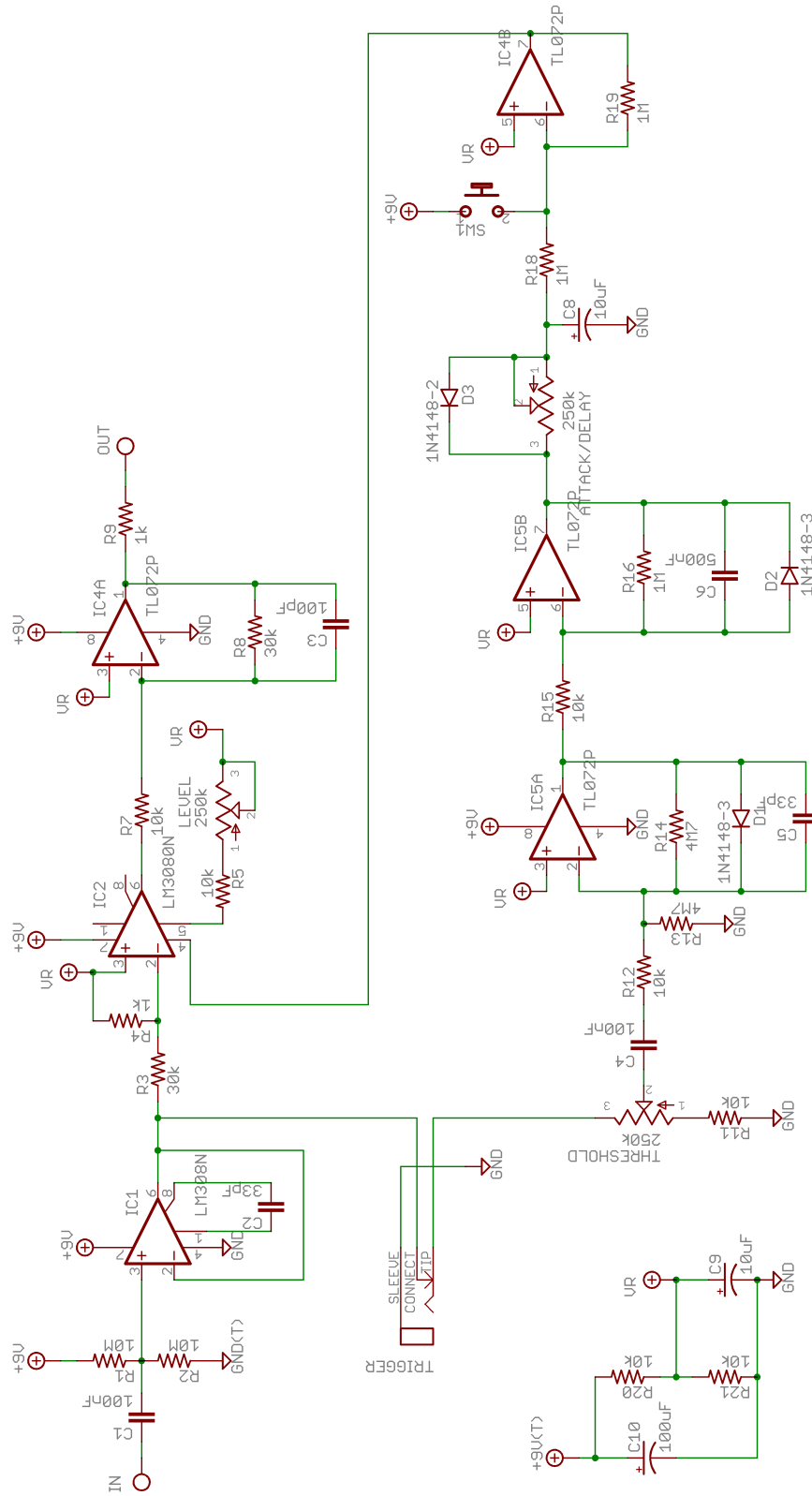
SOURCE: PAiA

Slow gear volume swells with a special trigger option made the PAiA Gator a unique gate. This work-alike uses updated and more common components than the original unit, which is no longer available. Gaussmarkov laid it out and Sir Stobiepole built a verification.

Layout



Schematic



Parts

Part	Value	Library	Part	Value	Library
C1	100nF	gm-caps-film-box	R1	10M	gm-resistors
C2	33pF	gm-caps-ceramic	R2	10M	gm-resistors
C3	100pF	gm-caps-ceramic	R3	30k	gm-resistors
C4	100nF	gm-caps-film-box	R4	1k	gm-resistors
C5	33pF	gm-caps-ceramic	R5	10k	gm-resistors
C6	500nF	gm-caps-film-box	R7	10k	gm-resistors
C8	10uF	gm-caps-electro-pol	R8	30k	gm-resistors
C9	10uF	gm-caps-electro-pol	R9	1k	gm-resistors
C10	100uF	gm-caps-electro-pol	R11	10k	gm-resistors
D1	1N4148	gm-diodes	R12	10k	gm-resistors
D2	1N4148	gm-diodes	R13	4M7	gm-resistors
D3	1N4148	gm-diodes	R14	4M7	gm-resistors
IC1	LM308N	gm-ics	R15	10k	gm-resistors
IC2	LM3080N	gm-ics	R16	1M	gm-resistors
IC4	TL072P	gm-ics	R18	1M	gm-resistors
IC5	TL072P	gm-ics	R19	1M	gm-resistors
ATTACK/DELAY	250k	gm-pots	R20	10k	gm-resistors
LEVEL	250k	gm-pots	R21	10k	gm-resistors
THRESHOLD	250k	gm-pots	SW1	MOMENTARY	gm-switches
			TRIGGER	CLOSEDMONOJACK	gm-jacks

PCB Image

When printing this image, use “Page Scaling: None” in the Adobe Reader print dialog.

