

# Bazz Fuss

stobiepole

June 4, 2008

<http://gaussmarkov.net/wordpress/circuits/bazzfuss/>

The following conditions apply to this project from runoffgroove.com. runoffgroove.com projects are provided free-of-charge to builders for their personal use. They offer licensing for commercial builders who wish to sell pedals based on, in whole or in part, our projects. As part of the licensing agreement, the builder must clearly state that the circuit was developed by runoffgroove.com, both in promotional literature and on the circuit board. If you see a pedal for sale that seems to be based on a runoffgroove.com project and does not credit runoffgroove.com, the builder may not be officially licensed and therefore, not compensating us as the developer. Please contact runoffgroove.com with the information.

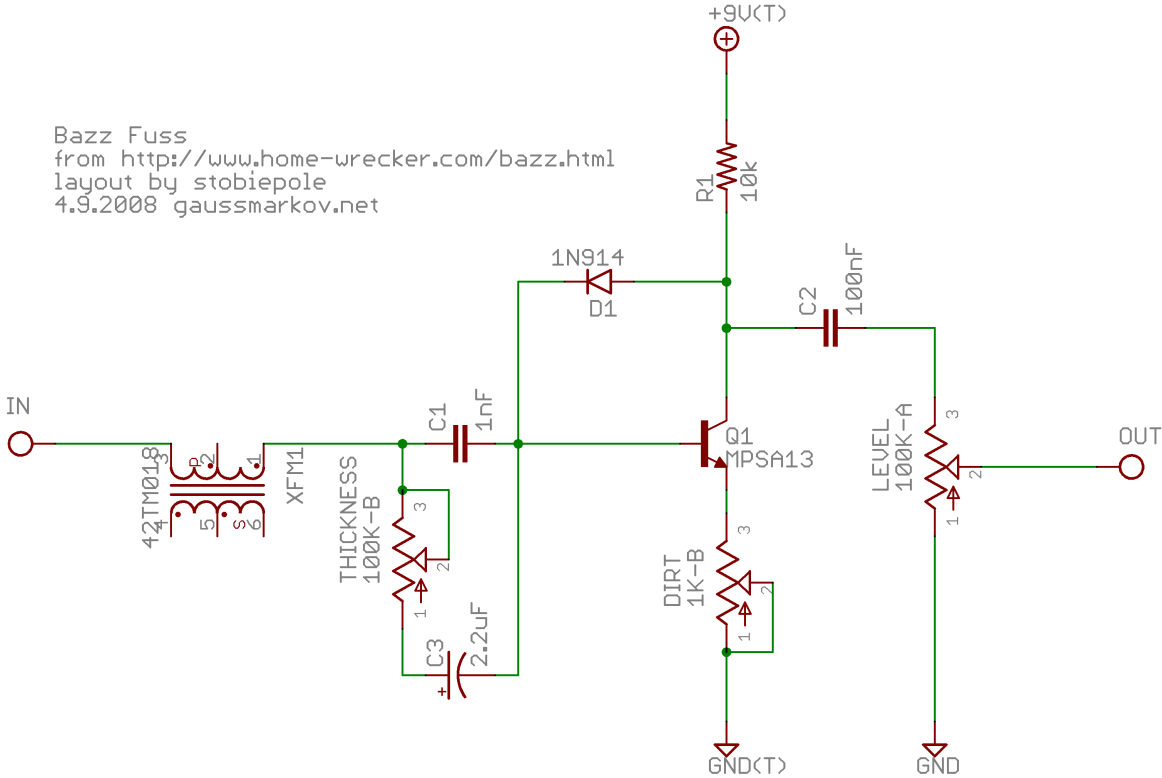
## Notes

SOURCE: <http://home-wrecker.com/bazz.html>.

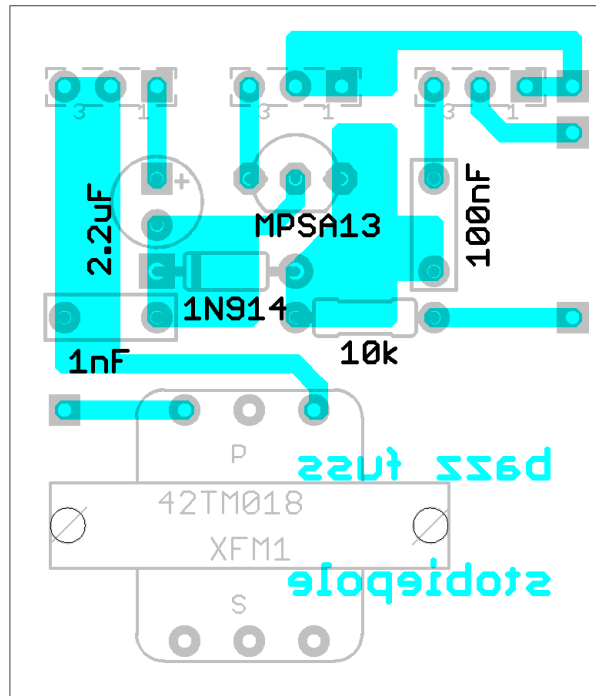
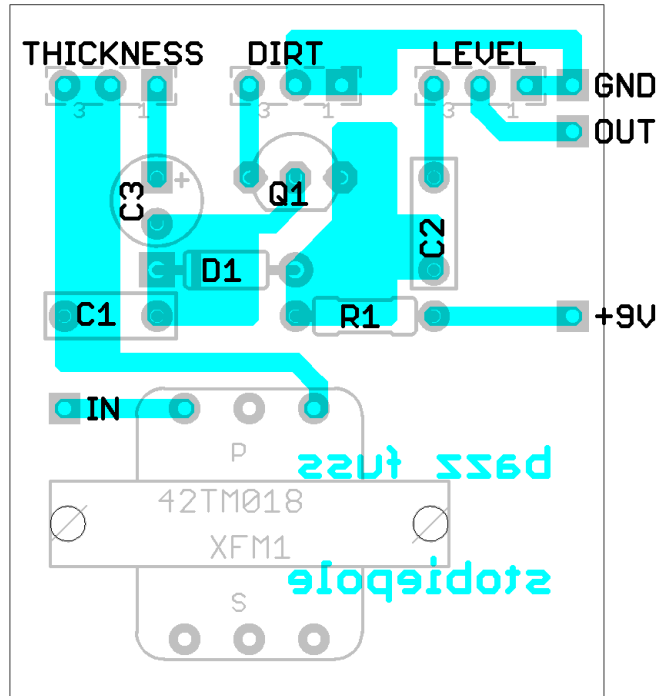
Howdy. I've been doing a bit of building again, finally ... so I've got a number of layouts that have now been confirmed. Here's a simple one that I thought needed doing — the Deluxe Bazz Fuss from homewrecker.com ... it's a great sounding fuzz on guitar and bass, and ridiculously simple. But there was no layout for it, so I whipped one up in five minutes. I used the transformer on the input, mostly for the hell of it, but made the layout so you could easily leave it off and just jumper the input.

# Schematic

Bazz Fuss  
from <http://www.home-wrecker.com/bazz.html>  
layout by stobiepole  
4.9.2008 gaussmarkov.net



# Layout



## Parts

Part	Value	Library
C1	1nF	gm-caps-film-box
C2	100nF	gm-caps-film-box
C3	2.2uF	gm-caps-electro-pol
D1	1N914	gm-diodes
Q1	MPSA13	gm-trans
R1	10k	gm-resistors
DIRT	1K-B	gm-pots
LEVEL	100K-A	gm-pots
THICKNESS	100K-B	gm-pots
XFM1	42TM018	gm-xfms

## PCB Image

When printing this image, use “Page Scaling: None” in the Adobe Reader print dialog.

